

KEY FEATURES

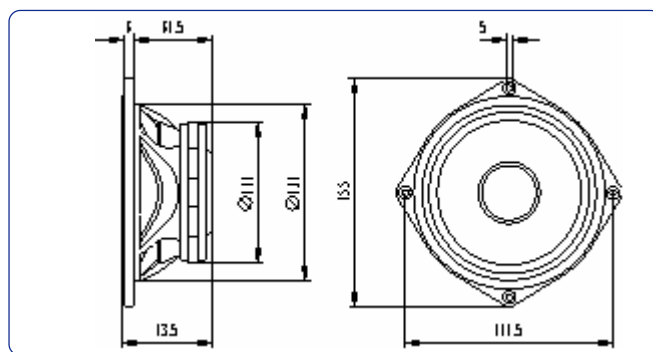
- Real 100 w RMS power handling
- Sensitivity: 95dB @ 2.83v
- 1.5" (38.5.7mm) aluminium voice coil.
- Low weight due to the neodymium magnet system

TECHNICAL SPECIFICATIONS

Nominal diameter	125 mm. 5 in.
Rated impedance	4 ohms
Minimum impedance	4 ohms
Power capacity*	100 w RMS
Program power	200 w
Sensitivity	95 dB 2.83v @ 1m @ 2π
Frequency range	90 - 9000 Hz
Recom. enclosure vol.	10 / 20 l 0.35 / 0.7 ft. ³
Voice coil diameter	38.5 mm. 1.5 in.
Magnetic assembly weight	1.2 kg. 2.64 lb.
BL factor	8.1 N/A
Moving mass	0.007 kg.
Voice coil length	6 mm
Air gap height	6 mm
X damage (peak to peak)	20 mm



DIMENSION DRAWINGS



THIELE-SMALL PARAMETERS**

Resonant frequency, fs	138 Hz
D.C. Voice coil resistance, Re	3.9 ohms
Mechanical Quality Factor, Qms	5.76
Electrical Quality Factor, Qes	0.41
Total Quality Factor, Qts	0.38
Equivalent Air Volume to Cms, Vas	1.68 l
Mechanical Compliance, Cms	166 μm / N
Mechanical Resistance, Rms	1.2 kg / s
Efficiency, ηo (%)	1.05
Effective Surface Area, Sd (m ²)	0.0085 m ²
Maximum Displacement, Xmax***	2 mm
Displacement Volume, Vd	17 cm ³
Voice Coil Inductance, Le @ 1 kHz	0.2 mH

MOUNTING INFORMATION

Overall diameter	155 mm. 6.10 in.
Bolt circle diameter	141.5 mm. 5.57 in.
Baffle cutout diameter:	
- Front mount	120 mm. 4.72 in.
- Rear mount	120 mm. 4.72 in.
Depth	73.5 mm. 2.89 in.
Volume displaced by driver	0.5 l 0.019 ft. ³
Net weight	1.3 kg. 2.86 lb.
Shipping weight	1.8 kg. 3.96 lb.

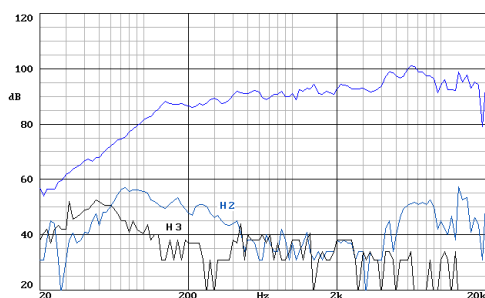
Notes:

*The power capacity is determined according to AES2-1984 (r2003) standard.
Program power is defined as the transducer's ability to handle normal music program material.

**T-S parameters are measured after an exercise period using a preconditioning power test.

***The Xmax is calculated as (Lvc - Hag)/2 + Hag/3.5, where Lvc is the voice coil length and Hag is the air gap height.

FREQUENCY RESPONSE AND DISTORTION



Note: on axis frequency response measured with loudspeaker standing on infinite baffle in anechoic chamber, 1w @ 1m.

FREE AIR IMPEDANCE CURVE

